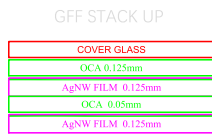
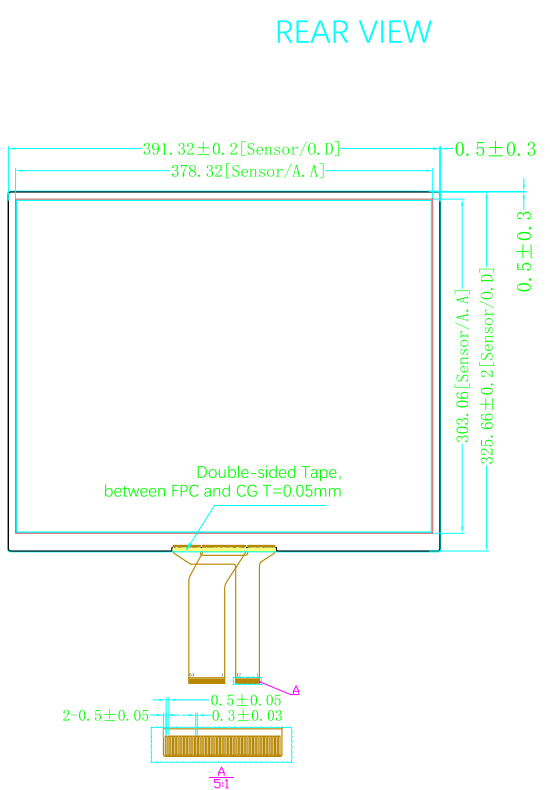
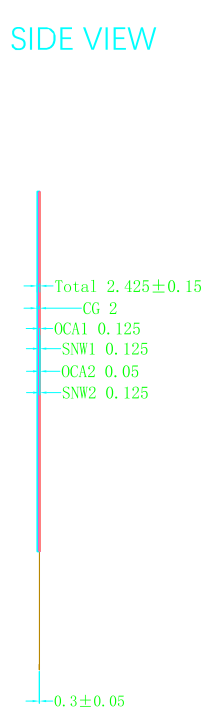
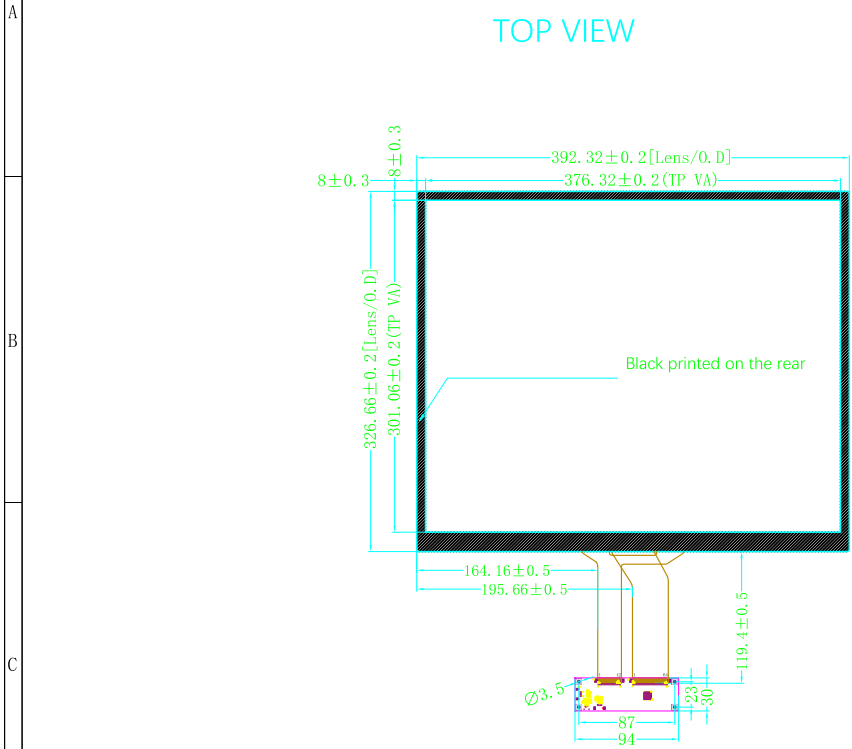


ver.	modify NO.	Details	Area	P. I. C	Date



- Notes:
- Structure: G+F+F,COB: ILITEK 2510 TX36,RX46
 - Cover lens material: Soda lime Glass, thermally tempered, Hardness>6H ;
 - unmarked tolerance: ±0.2mm;
 - mark **【】** --critical control dimensions must meet a tolerance.
 - ROHS compliance;

Part No.		SNT-NS-TPB-19-ILI		
Product Name:		Drawing No.	C20200715N190	
19inch Touch Panel		Project Code.	N19002S	
Business Unit:		Period Mark	View Angle	Ratio
SNT-BTP		A		1:4
Designed by:	D030	BOM Code	1.12.150.02.2005	
Checked by:	T006	Product Series	BTP-NS	
Approved by:	P012	Page 1		Total 1 Page
Workmanship:	W002	思诺泰科电子(苏州)有限公司 SINOTRONICS INC.		
Standardization:	S015			
Released by:	M012			